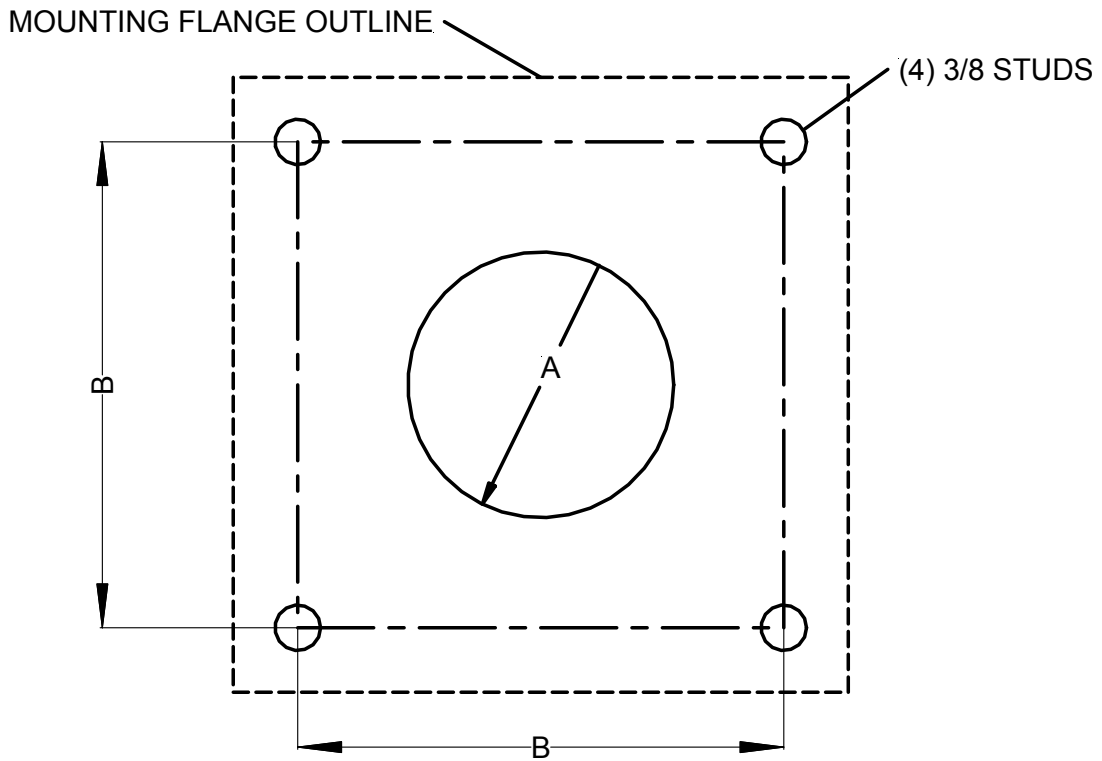


TEMPLATE DIMENSIONS



BURNER MODEL	BURNER HEAD DIAMETER	A	B
C 4	4	4.25	5.625
C 4.1	4	4.25	5.625
C 4.5	4.5	4.75	5.625
ALL DIMENSIONS ARE IN INCHES.			